

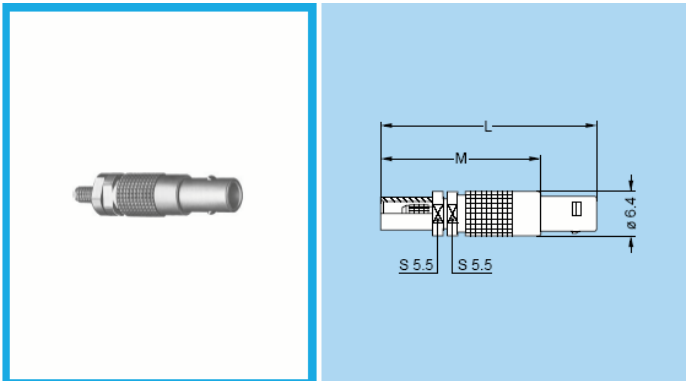
How to use LEMO connector?

Courtesy

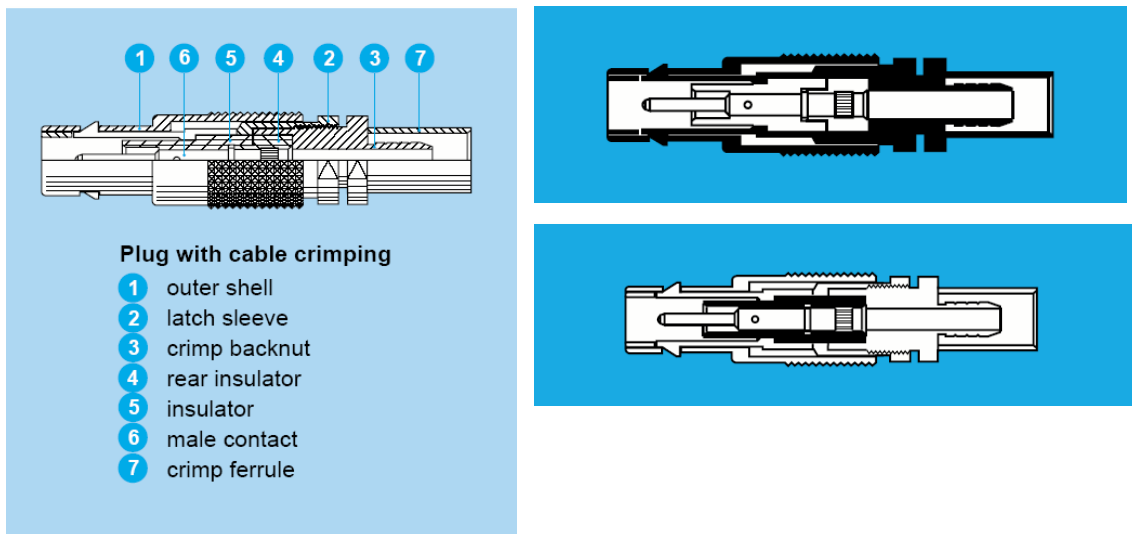
1. Do not remove the outer shell any time any where !!
2. Do not push-pull the LEMO connector rudely !!
Please read the manual first or ask others if you have no idea.

Reference

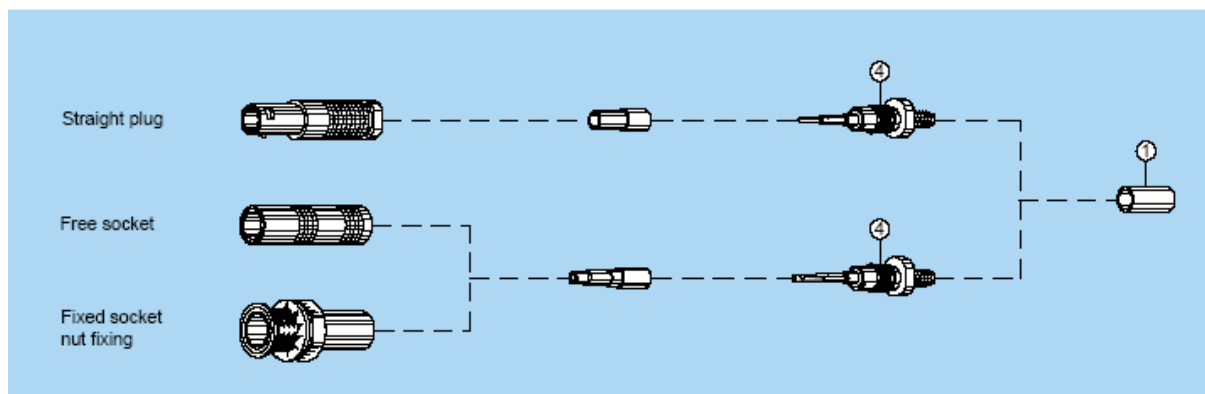
1. The size of the LEMO connector



2. The construction of LEMO connector



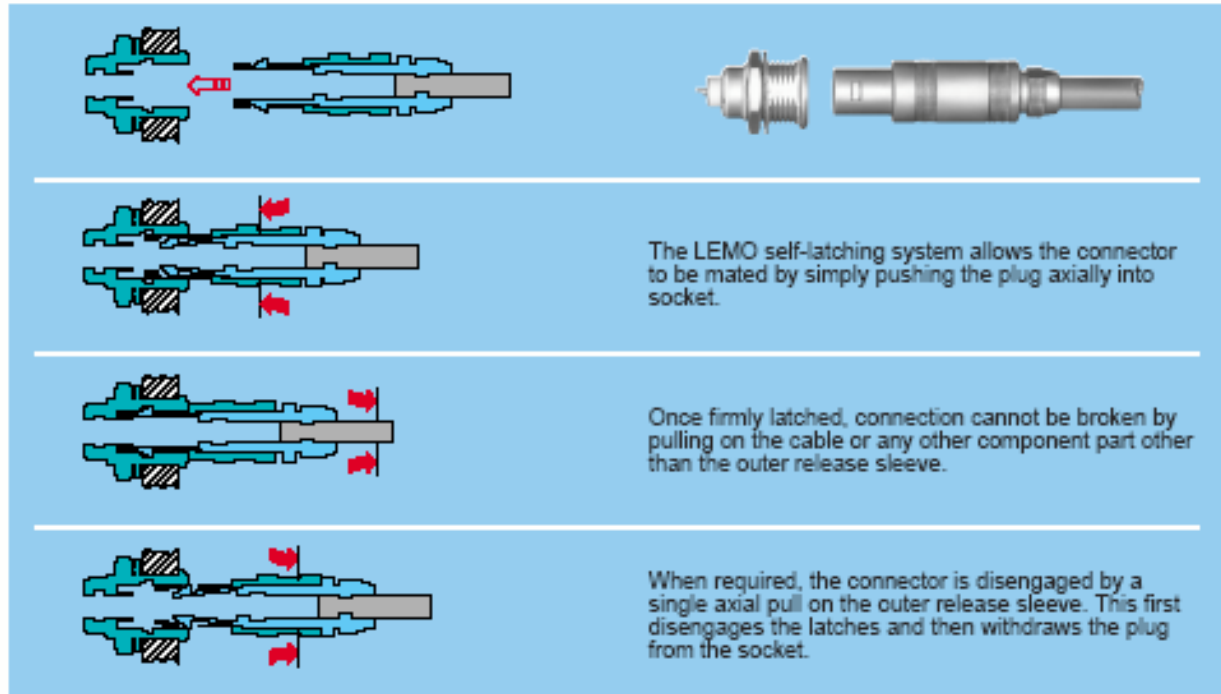
3. The decomposition drawing of LEMO connector(straight plug)



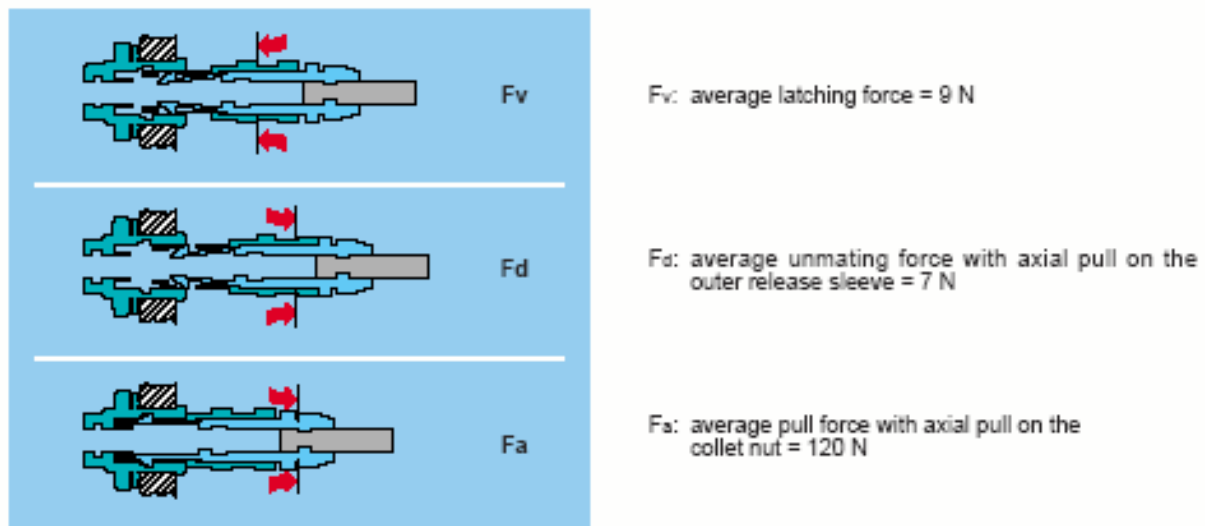
4. The illustration of connecting LEMO in the correct way

LEMO's Push-Pull Self-Latching Connecting System

This self-latching system is renowned worldwide for its easy and quick mating and unmating features. It provides absolute security against vibration, shock or pull on the cable, and facilitates operation in a very limited space.



Mechanical Connecting Characteristics



5. Reference Website

<http://www.lemo.ch/>